

Cramping sets

Types FGA and FA, hot-dip galvanised

Application

- For fastening MÜPRO pipe slides on subconstructions of steel profiles
- Suitable for anchor points and guides (expansion point) with lift lock
- Hot-dip galvanised version for indoor and outdoor use
- For pipe slides with a base plate up to 15 mm thick

Your benefits

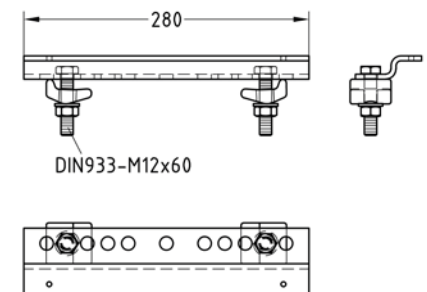
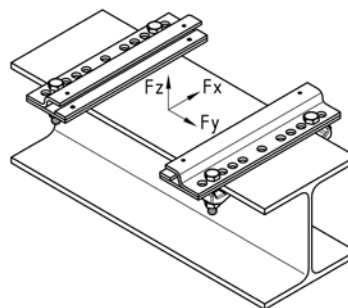
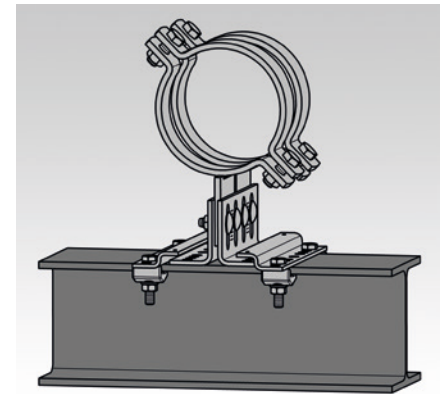
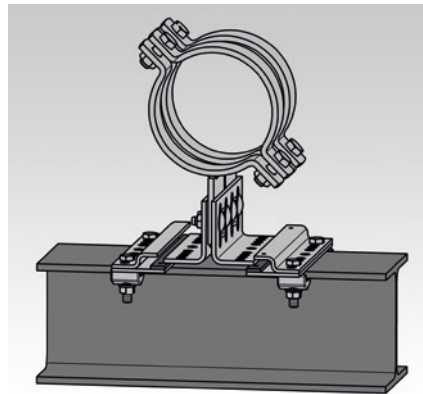
- Pre-assembled sets comprising cramping elements and the corresponding threaded pins and nuts for fastening a pipe slide on the subconstruction



Type FGA, with sliding plate



Type FA, without sliding plate



| Type | Max. flange thickness [mm] | Support profile thickness [mm] | Load | | | Thread | Max. tightening torque [Nm] | Weight [kg/item] | Item no. | Supply unit | Quantity unit |
|--------------------------------|----------------------------|--------------------------------|---------------------|---------------------|---------------------|--------|-----------------------------|------------------|----------|-------------|---------------|
| | | | F _x [kN] | F _y [kN] | F _z [kN] | | | | | | |
| Type FA, without sliding plate | 26 | 100–180 | – | ±3.0 | ±8.0 | M12 | 22 | 2.332 | 169479 | 1 | Set |
| Type FGA, with sliding plate | | | – | ±3.0 | ±8.0 | | | | | | |

| Standard | Profile type | Designation | |
|------------|--------------|-------------|----------|
| | | Min. | Max. |
| DIN 1025-3 | HE-A | HE-A 100 | HE-A 180 |
| DIN 1025-2 | HE-B | HE-B 100 | HE-B 180 |
| DIN 1025-1 | I | I 80 | I 475 |
| DIN 1025-5 | IPE | IPE 80 | IPE 400 |
| DIN 1025-4 | HE-M | HE-M 100 | HE-M 180 |
| EN 10055 | T | T 80 | T 140 |