

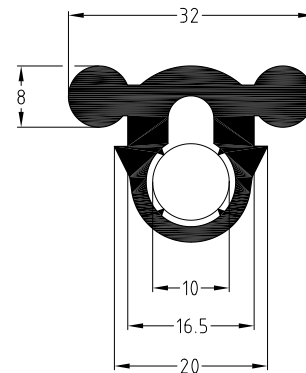
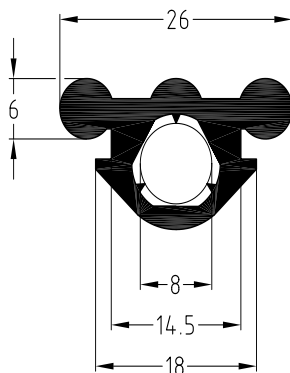
DÄMMGULAST® Channel sections for MPC-Profiles

Field of application

- Ideal for the decoupling of traverses for air duct fixtures
- For secure vibration-decoupling of MPC-Support channels

Advantages

- Easy installation by inserting into MPC-Support channels and/or screwing onto threaded rods
- Prevents structure-borne noise coupling by avoiding contact between the air duct and the threaded rods
- Interlocking profile prevents channel section being pushed out
- Prevents fluttering and other vibration noises in the air ducts
- Small contact surface, large absorption mass



Features



Design	For support channels	Suitable for	Part no.	Sales unit	Pack unit
DÄMMGULAST® Channel section roll of 30 m	27/18, 28/30	Channels with slot widths of 13–16 mm, M8 threaded rods	107689	1	roll
	38/24–40/120	Channels with slot widths of 15–18 mm, M8 and M10 threaded rods	107690 107691	300	pieces
DÄMMGULAST® Channel sections section of 50 mm					
DÄMMGULAST® Channel sections section of 100 mm			107686	200	

⚠ When installing air conditioning and ventilation equipment, MPC-Support channels can be used as load-bearing traverses. Structure-borne vibration coupling bridges resulting from direct metal contact between the air duct and the traverse or threaded rods can be prevented by the use of DÄMMGULAST® Channel section as intermediate layer.

The DÄMMGULAST® Channel section was developed especially for these application areas and provides the optimum solution from a practical installation point of view.