

Pipe loops type EHS galvanised

Application

- For fastening sprinkler pipes as per VdS Schadensverhütung (damage prevention) and Factory Mutual FM guidelines
- Perfect for installation on threaded pins or threaded rods
- Easy height adjustment on a threaded rod or threaded pin

Benefits for you

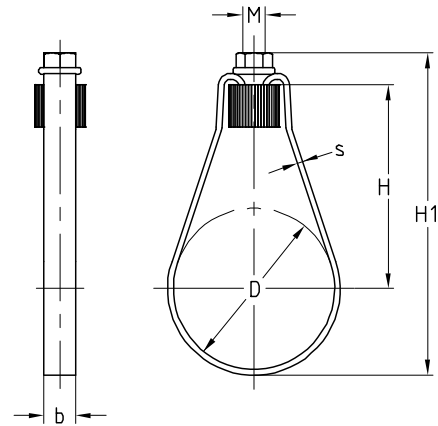
- Simple, time-saving installation of sprinkler pipes thanks to single-piece design
- Approved by VdS Schadensverhütung and Factory Mutual FM



Product services



Size	Max. recommended load [N]
1"-2"	2,000
2½"-4"	3,500
5"-6"	5,000
8	8,500
10"	11,000



Thread connector	Size [inches]	For pipe outer diameter [mm]	VdS	FM	Item no.	Supply unit	Quantity unit	Dimensions [mm]					
								b	s	H	H1		
M8	1	33.7	●		170636	100	units	12	1.5	55	83		
	1¼	42.4	●		170637					88			
	1½	48.3	●		170638	50				60	96		
	2	60.3	●		170639	69				110			
M10	1	33.7	●	●	170640	100	units	12	1.5	55	86		
	1¼	42.4	●	●	170641					90			
	1½	48.3	●	●	170642	50				60	96		
	2	60.3	●	●	170643	69				113			
	2½	76.1	●	●	170644	25				15	2.5	85	138
	3	88.9	●	●	170645					100	160		
M12	4	114.3	●	●	170646	20	units	12	1.5	130	202		
	5	139.7	●	●	170647					145	232		
	6	168.3	●	●	170648					173	275		
M16	8	219.1	●	●	170649	10				25	220	352	
M20	10	273.0	●		153221*	15				20	3.0	307	470

* VdS approval G 413023