

MPT-Brackets

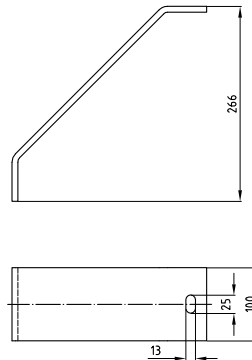
hot-dip galvanised

Field of application

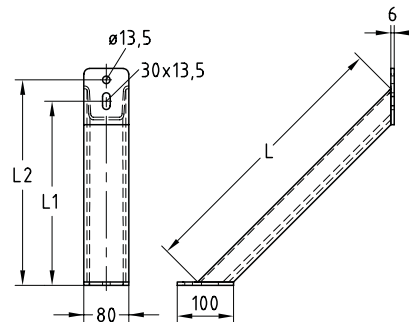
- Hot-dip galvanised brackets for support and bracing of 90° corner connections of MPT support structures

Advantages

- High corrosion protection due to standardised hot-dip galvanising ensures flexible implementation outdoors and indoors
- Fast bracing of corner connections by using two fastening points only
- Easy and safe to install; oblong holes easily compensate for any installation tolerances that may occur



Light version



Heavy-duty version



Design	For profile	Thickness s [mm]	Part no.	Sales unit	Pack unit	Weight [kg/piece]	Dimensions [mm]				
							B	L	L1	L2	b
light version	Q50-2.5, Q100-2.5, Q100-3.5, Q150-2.5	8	131835	1	pieces	2,82	100	290	-	-	25
	Q80-2.0		167324				80	235	-	30	
heavy-duty version	Q50-2.5, Q80-2.0, Q100-2.5, Q100-3.5, Q150-2.5	6	176054	1	pieces	4,258	-	485	330	368	-
	176055		909				630	668	-		



The MPT-Brackets (light version) can only be combined with the Q150-2.5 profile to a limited extent.