

### MPT-Cross channel connectors

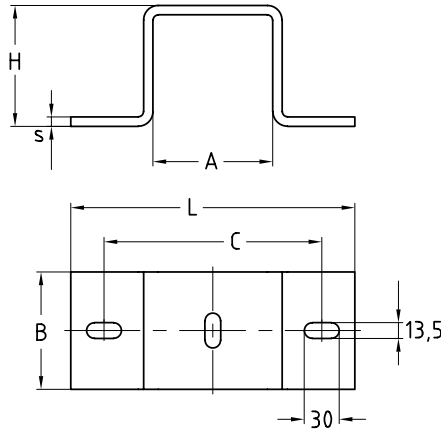
hot-dip galvanised

#### Field of application

- For cross connections made of MPT-Support profiles Q50, Q80 and Q100

#### Advantages

- Quick and safe installation via oblong holes in combination with MPT-Hammer head fasteners
- Standardised hot-dip galvanising for outdoor and indoor implementation



For profile	Thickness s [mm]	Part no.	Sales unit	Pack unit	Weight [kg/piece]	Dimensions [mm]				
						A	H	L	C	B
Q50-2.5	8	147940	1	pieces	1.960	106	56	246	189	100
Q80-2.0		167936				82	86	212	150	80
Q100-2.5, Q100-3.5		138640				106	106	246	189	100