

### Trapezoid-sheet hangers galvanised

#### Field of application

- For the professional attachment of installations to trapezoidal sheets

#### Advantages

- Attachment using sealing rivets or self-drilling screws to the stays of the corrugations
- Easy to adapt to different trapezoidal sheet sections due to pre-determined bending points
- Round holes at the end of the legs also enable a pass-through mounting of M8 or M10 threaded rods

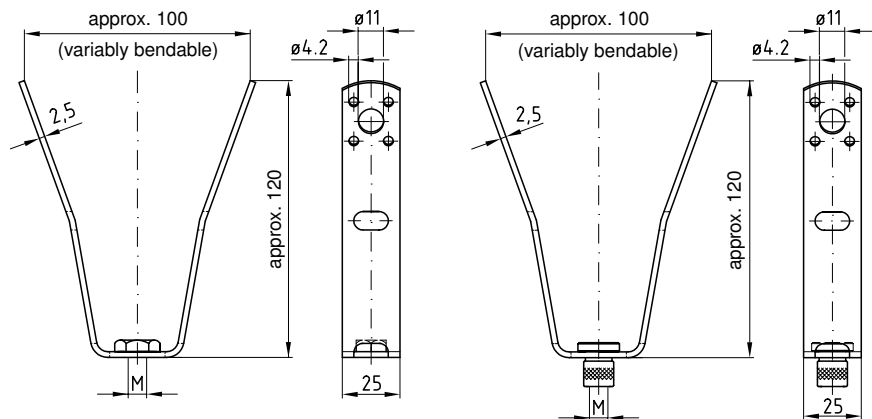
- Available with either unthreaded through hole with welded-on hexagon nut or with adjusting nut for height setting
- Approved by VdS for pipe attachments up to DN 50 with threaded rods and counted nuts (observe assembly instructions included with the product)



#### Features



Max. permitted load [N]  
1,300



The specifications of the International Association for Light metal Construction IFBS must be observed for the attachment of trapezoidal sheet hangers on trapezoidal sheet metal by means of drilling screws made of cast hardened steel or blind rivets. Zinc plated drilling screws with ETA assessment can be found in the section "Ventilation". In case of attachment by means of threaded rods and through-hole mounting the max. hole bearing has to be calculated.

	Type	Part no.	Sales unit	Pack unit
With welded-on nut	M8	130203	100	pieces
	M10	130200		
With unthreaded through-hole	Hole-Ø 8.5 mm	130205	100	pieces
	Hole-Ø 10.5 mm	130204		
With adjusting nut	M8	130202	100	pieces
	M10	130201		



Refer to chapter „Tools“ for trapezoid-sheet pliers used for attachment.

	Part no.	Sales unit	Pack unit
DÄMMGULAST® Washer	107095	50	pieces