

**MPC-Diagonal strut**

hot-dip galvanised

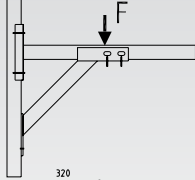
**Field of application**

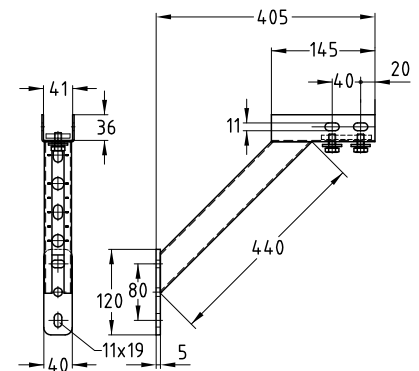
- Diagonal strut for the direct wall-mounting of wall hanger brackets, for channel support and for wall hanger brackets with baseplate
- Suitable for outdoor use

**Advantages**

- Quick mounting due to preinstalled double rail nuts
- With clip-over edges for the wall hanger bracket
- Oblong holes at the side allow the positioning of MPC-Support channels 38/40 with slot at the side



	Length L [mm]	Mounting of bracket and diagonal strut in the support channel slot max. recommended load F [N]	Through fitting attachment max. recommended load F [N]
	440	2,500	6,000



For support channels	Part no.	Sales unit	Pack unit
38/40-40/120	<b>129789</b>	1	pieces

