

STATO® Brackets
hot-dip galvanised

Field of application

- Stable support system with high load-bearing capacity for pipe installations
- **Ideal pipe anchor point in combination with STATO® Clamps without lining**
- Ideal as height adjustable subframe for anchor and expansion assemblies
- Ideal as an **anchor point for insulated chilled water pipes in combination with MÜPRO® Wooden blocks and STATO® Clamps**

Advantages

- Continuously adjustable in height and slope
- As height adjustment for waste water pipes or to compensate for unevennesses
- Can be fitted with up to 3 STATO® Clamps in case of heavy loads
- Especially suitable for heavy pipes with large wall clearances
- Can be used as a bearing block, adjustable in height and slope

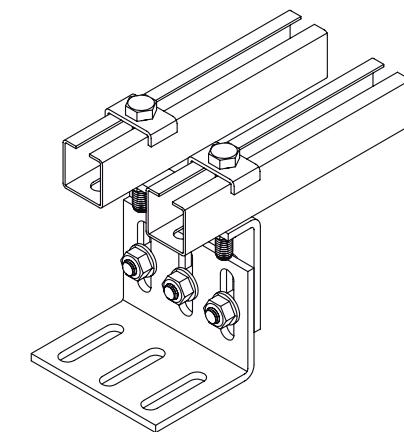
The complete kit consists of:

- 4 STATO® Angle pieces
- 6 Coach bolts M12
- 6 Hex. nuts M12
- 6 Washers for M12

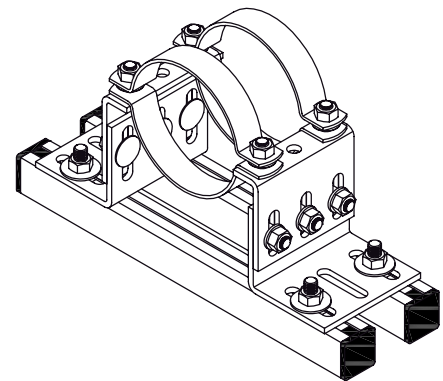
All parts are hot-dip galvanised.



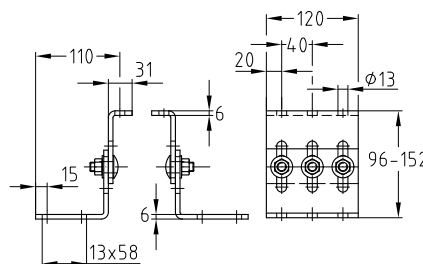
STATO® Clamps with adjustable STATO® Bracket



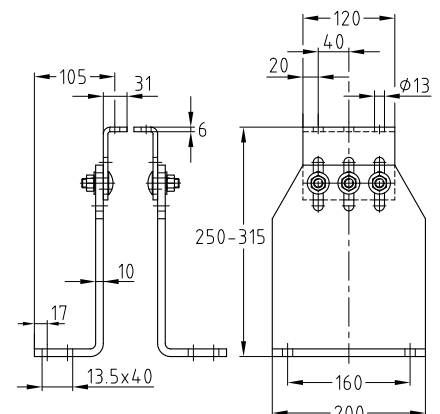
Height adjustable sub-frame for anchor and expansion assemblies



Free slidable elevation



Standard version



Heavy-duty version, larger distance from structure

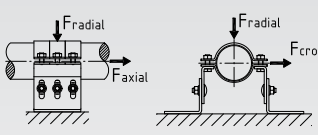
Design	Overall height [mm]		Adjustment range [mm]	Part no.	Sales unit	Pack unit
	min.	max.				
Standard version	96	152	56	129168	5	pieces
Heavy-duty version	250	315	65	129172	1	

 STATO® Clamps in hot-dip galvanised version upon request.

STATO® Brackets

hot-dip galvanised

Features

Type		Standard version	Heavy-duty version	Tightening torque [Nm] (valid for M12, steel pipes without coating)
Max. recommended load [N] 	axial	5,500 per clamp	5,500 per clamp	75
	cross	min. overall height		
		8,000	7,000	
		max. overall height		
		6,000	7,000	
	radial	25,000	25,000	

VIDEO TIP

 **Installation of anchor points with MÜPRO STATO® brackets:** the video shows the installation options in industrial settings and plant design and explains the individual installation steps.

