

Dome supports galvanised

Field of application

- Strong attachment for greater distances from the building structure
- Version 3/4" suitable for shock-resistant attachment of pipes
- Suitable as anchor point with pipe nipple and single bossed clamp with connecting socket
- Suitable as expansion point for large distance to wall with pipe nipple and socket adapter

Advantages

- Bend-proof design even under great axial and radial forces on the pipe
- Efficient attachment with only one plug
- Variable mounting distance can be determined on site by the length of the threaded pipe nipple
- Easy installation using spanner size SW 36
- Can be combined with pipe clamps with connecting socket
- Stable extension by means of socket adapters for the connection of single bossed clamps with M10 or M12 thread



Version 1/2"



Version 3/4"



Mounting as anchor assembly with pipe nipple and single bossed clamp with connecting socket

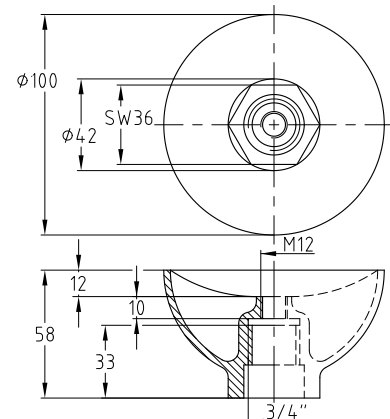
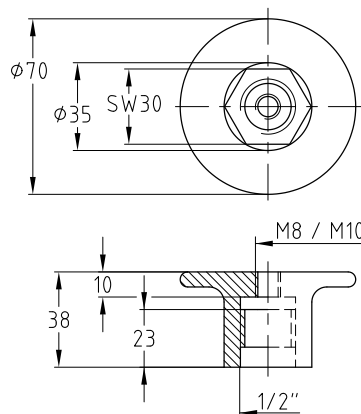


Mounting as expansion assembly for large distance to wall with pipe nipple and socket adapter

Features

Connecting thread	Max. recommended loading tension Fz [kN]	Max. recommended bending moment [Nm]
M8	10,000	65
M10		
M12	12,000	85

Applies for connection screw with strength class 8.8 on steel



For pipe thread	Connecting thread	Part no.	Sales unit	Pack unit
1/2"	M8	129783	1	pieces
	M10	129780		
3/4"	M12	129781		

! For pipe anchor assemblies only pipe clamps without linings are to be used. The max. bending loading of the threaded pipe needs to be considered.

i For socket adapter please refer to chapter "Accessories".