

### Slide guide, heavy-duty version with guide brackets (without pipe clamps), galvanised

#### Field of application

- High strength version for standing arrangements
- Expansion point attachment for standing pipes
- Attachment of pipes with temperature affected, axial expansion and higher load requirements

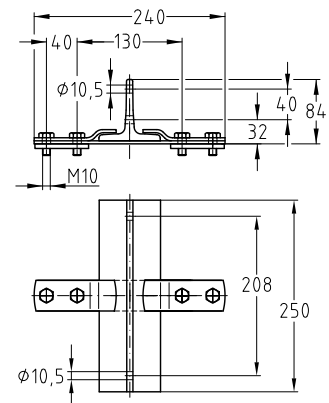
#### Advantages

- Smooth-sliding pipe guide with polished sliding surface and slider made of abrasion-resistant polyamide
- For use with three-piece, double-sided flange-on suspension clamps
- Surface protection through galvanisation
- Stable guide brackets including M10 fixing bolts and nuts



#### Features

Max. recommended compression load [N]	15,000		
Max. slide travel [mm]	Part no.	Sales unit	Pack unit
200	118129	1	pieces



**i** Suitable three-piece suspension clamps can be found on the next page.