

Slide guides 1.75 kN  
galvanised

Field of application

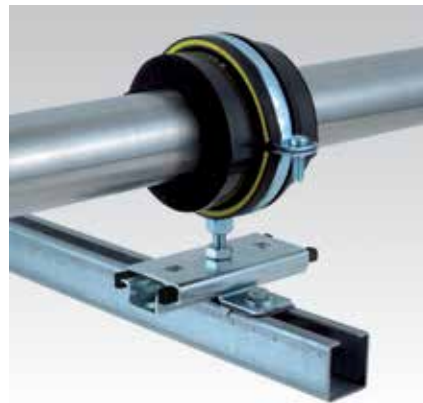
- Attachment of pipes with temperature affected, axial expansion
- A variety of installation possibilities (floor-mount, ceiling-mount, wall-mount)
- Expansion point attachment for standing and suspended pipes
- Expansion point attachment as cross connection for pipe movement in axial and lateral directions

Advantages

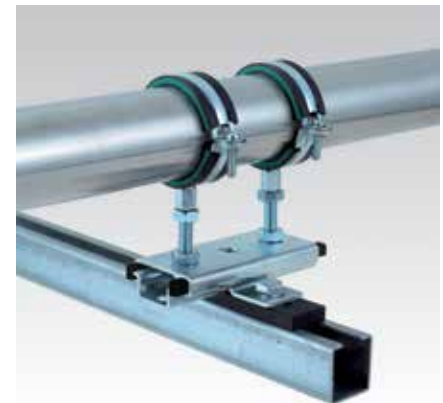
- Flat, compact design for secure mounting in cramped mounting situations
- Large slide travel of up to 76 mm
- High-level application flexibility due to triple connection facilities for pipe clamps
- One or two pipe clamps can be mounted depending on the application
- Fire-proof design for application in escape routes and emergency routes



Ceiling installation with steel anchors M8



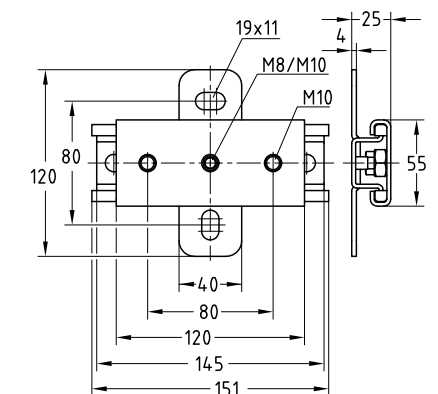
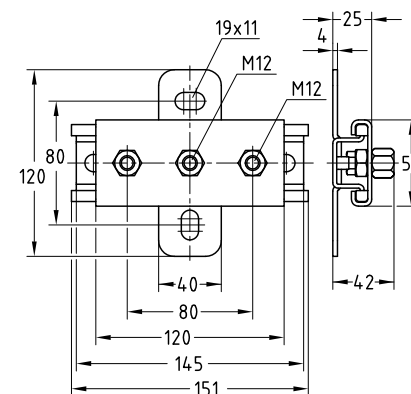
Upright installation of an insulation clamp on a MPC-Support channel



Upright installation of a sliding shoe and a slide guide on a MPC-Support channel



Upright installation of two slide guides in crisscross arrangement, on a MPC-Support channel



Features

Connecting thread	Connecting thread	Temperature range	Max. recommended load [N]	Max. slide travel [mm]	Part no.	Sales unit	Pack unit
1x	2x	-40 °C to +100 °C	1,750	76	130662	25	pieces
M8/M10	M10				139199		
M12	M12						



When attaching two slide guides in crisscross arrangement, the use of an allen bolt with washer, **part no. 121079**, is recommended.