

# PHONOLYT® Anchor points for pipes

single kit, galvanised

## Field of application

- Ideal component for vibration-controlled pipe anchor points to meet the vibration control requirements of **DIN 4109** and **VDI 4100**
- Suitable for ceiling, wall or floor-mounting
- Floor mounting of pipe and duct lines
- Ideal as vibration-isolated pipeline anchor point for downpipe support or riser pipes

## Advantages

- Acoustically decouples the pipe from the building structure and reduces the structure-borne noise by up to 40 dB
- Practical design facilitates installation
- Practical construction for a 2-point fastening of the pipe
- Special feature: **Also approved for alternating load directions on plastic piping**
- Continuously adjustable distance from the wall
- Silicone-free

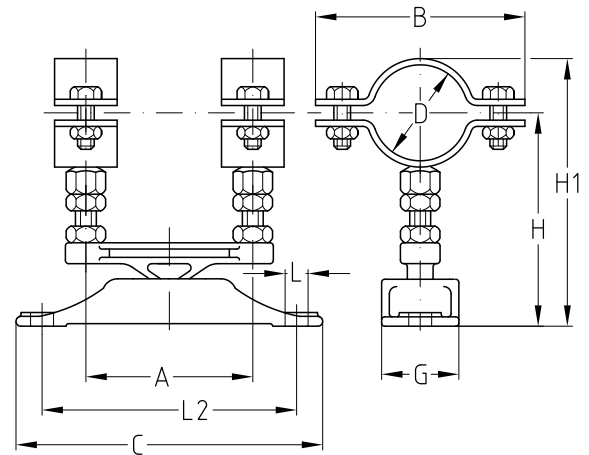


### Single kit dB(A) 27, consisting of:

- 1 PHONOLYT® Vibration decoupler dB(A) 27, M10
- 2 Single bossed clamps, 30 x 3 mm, without lining, heavy-duty version, M10, galvanised
- 2 Threaded pins M10
- 4 Hexagonal head nuts M10

### Single kit dB(A) 40, consisting of:

- 1 PHONOLYT® Vibration decoupler dB(A) 40, M12
- 2 Single bossed clamps, 30 x 3 mm, without lining, heavy-duty version, M12, galvanised
- 2 Threaded pins M12
- 4 Hexagonal head nuts M12



## Features



Type	Size		Clamping range [mm]	Threaded pin [mm]	Part no.	Sales unit	Pack unit	Dimensions [mm]							
	[inch]	[mm]						A	B	C	G	H	H1	Ø L	L2
dB(A) 27	3/8		14-18	M10 x 35	120348	1	pieces	80	66	147	37	81	92	11	122
	1/2		20-22		120340				71			84	97		
	3/4		25-28		120344				74			87	104		
	1		31-35		120308				83			90	110		
	1 1/4		40-43	M10 x 55	120304				92			94	119		
	1 1/2		48-52		120316				100			99	128		
		57	53-57		120332				105			120	150		
dB(A) 40	1		31-35	M12 x 50	120312		126	83	227	60	123	143	13	194	
	1 1/4		40-43		120324			92			127	151			
	1 1/2		48-52		120320			100			132	161			
		57	53-57		120336			105			135	165			
	2		58-61		120328			110			137	170			

Please refer to the "Technical information" chapter for permissible loads.