

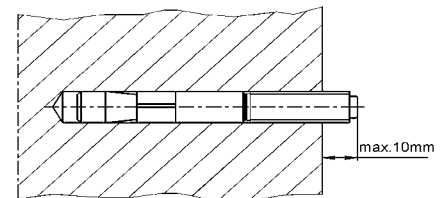
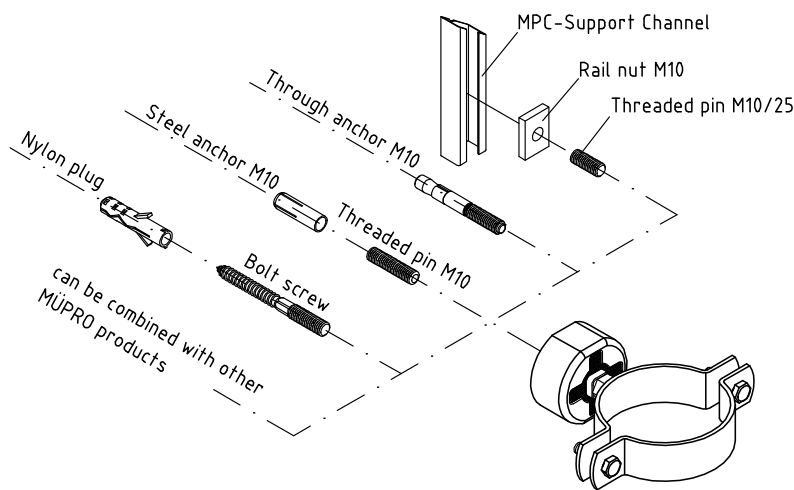
PHONOLYT® Button anchor points galvanised

Field of application

- Pipe anchor point with outstanding sound isolation
- Efficient fixed point for plastic and cast pipes
- Suitable for wall, ceiling and floor mounting
- Alternative attachment by using nylon plug and bolt screw, through anchor, etc.

Advantages

- Easy to fit as there is only one central connection thread
- Lower wall distance to building structure
- Easy to attach to the structure by means of steel anchor and threaded pin M10
- Silicone-free



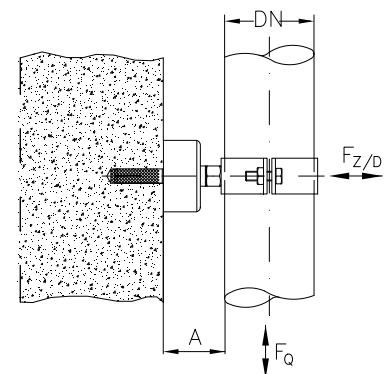
Attachment to building structure:

The projecting end of plug or threaded pin from the wall or ceiling must not exceed 10 mm!

Features



Average vibration reduction [dB(A)]	30
Max. recommended loading tension / compression $F_{z,D}$ [N]	1,500
Axial to the pipe F_Q [N]	1,080



Nominal size [mm]	Clamping range [mm]	Wall distance A [mm]	Part no.	Sales unit	Pack unit
70	73–78	51	120438	5	pieces
80	80–85		120279		
100	108–116		120434		