

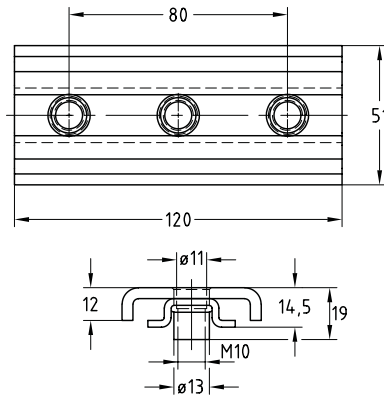
## MPR-Sliding shoe galvanised

### Application

- Attachment of pipes with thermal, axial expansion
- Suitable for pipes mounted from above and from below
- For use in dry interiors
- Ideal for fastening plastic pipes with long sliding distances

### Your advantages

- Length of sliding distance can be freely determined by suitable selection of support channel length
- In connection with the MPR-Support channel 41/21 very low installation height of only 25 mm
- For use with all MPR-Support channels from 41/21 to 41/124
- Heavy-duty all-metal design



### Features

Max. recommended load [kN]	5			
Connecting thread M10	For profiles 41/21-41/124	Article-No. 176154	Sales unit 25	Pack unit Pieces

**⚠** The specified load value applies to system rails with a wall thickness of 2.5 mm. In the case of deviating wall thicknesses, the load-bearing capacity values of the system rail must be taken into account.