

## Anchor point anchoring system FPA

Anchoring and support set

### Field of application

- For anchoring anchor points in case of different distances from the building structure when fastening cold and hot water pipes

### Advantages

- Manageable number of components facilitates handling on site and reduces storage costs
- Flexible connection in regard to distance from the building structure
- Appropriate sets can be selected depending on specific application and loading conditions
- Enables subsequent mounting and tensioning
- Compatibility with MPT-Support profiles is ensured
- Can be connected to anchor point pipe clamps type 170 FL



Loading condition 1



Loading condition 2

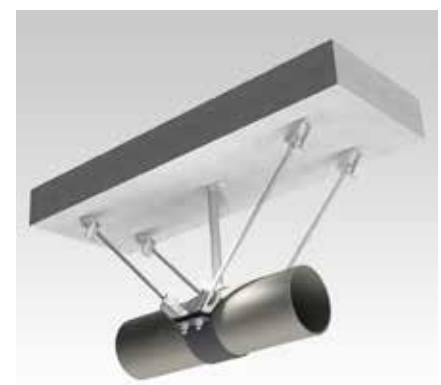


Loading condition 3

### Features

Type	Max. recommended load [N]
Loading condition 1	3,000
Loading condition 2	11,000
Loading condition 3	21,000

- !** In case of an unknown or rather changing force direction a double-sided anchoring is necessary. The indicated load rates are based on the use of the heavy-duty anchor BZ.






Double-sided anchoring  
loading condition 3

### Anchor point anchoring system FPA

Anchoring and support set

#### Selection matrix

Type	Heigth [mm]	Max. recommended anchor forces axial to the pipe [N]	Installation	Part no. <sup>1)</sup>	Recommended anchor point pipe clamps
Loading condition 1	up to 1,000	3,000		1 x 171975 1 x 172091	M16 (60 x 6)
Loading condition 2		11,000		2 x 171975 1 x 172089	1" (120 x 6)
Loading condition 3		21,000		2 x 171975 2 x 172091	1" (120 x 6)

<sup>1)</sup> Anchor point pipe clamps, threaded rods, threaded pins, threaded pipes and anchor plugs must be ordered separately (please observe installation instructions). Suitable anchor point pipe clamps FPA can be found on the next page.

Anchoring set FPA 45° consists of:

- 2 Strutting elements M12 or M16
- 4 Hexagonal nuts M16
- 4 Washers M16

All parts are hot-dip galvanised.

Support set FPA consists of:

- 1 Baseplate with connection socket 1"
- 1 Socket adapter M16-G1"

All parts are galvanised.

#### Anchoring set FPA 45°, hot-dip galvanised

Connecting thread	Part no.	Sales unit	Pack unit
M12	171974	1	set
M16	171975		



#### Support set FPA, galvanised

Part no.	Sales unit	Pack unit
172091	1	set



#### Baseplate with connection socket 1", galvanised

Size [mm]	Oblong holes [mm]	Part no.	Sales unit	Pack unit
125 x 50 x 8	13.5 x 20	172089	1	pieces

