

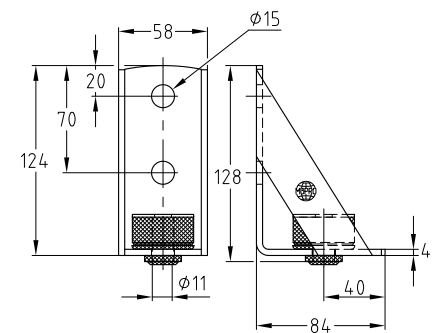
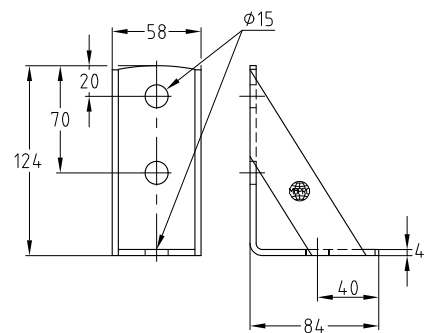
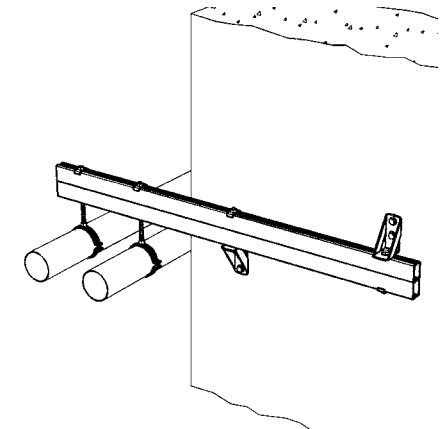
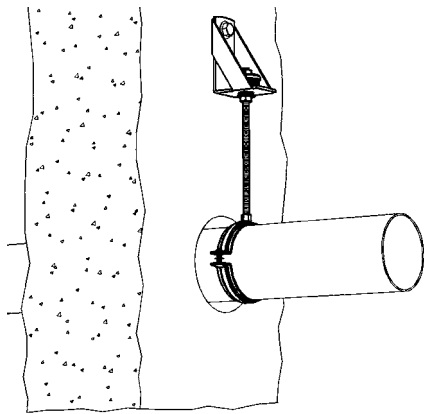
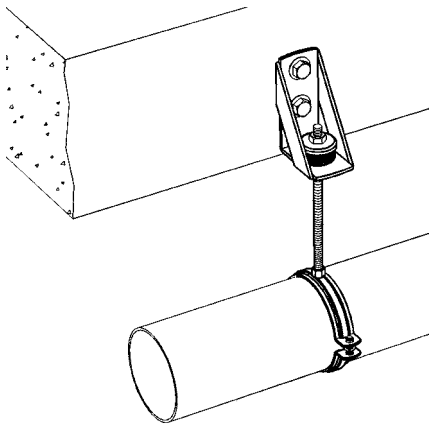
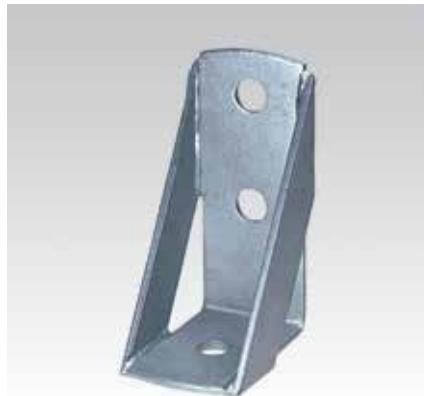
Supporting angles

Field of application

- For lateral suspension of pipelines on reinforced concrete beams
- As substructure for the attachment of fittings, e.g. water meters

Advantages

- Angle element in cases of higher requirements for the stability of mounting structures
- With high-quality vibration control due to the DÄMMGULAST® Resilient pad
- Usable as bracket for supporting heavy loads close to a wall
- Construction component for cross-beams in confined spaces



Features



Type	Max. recommended load [N]	Average vibration reduction [dB(A)]	Part no.		Sales unit	Pack unit
			V2A	V4A		
With DÄMMGULAST® Resilient pad	1,000	17	127786	127783	10	pieces
Without DÄMMGULAST® Resilient pad	1,650	–	127795	127798		