

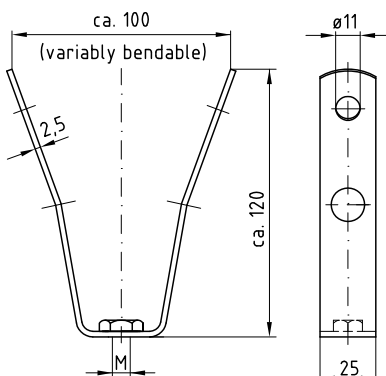
## Trapezoid-sheet hangers with welded-on nut

### Field of application

- For the professional attachment of installations to trapezoidal sheets

### Advantages

- Easy to adapt to different trapezoidal sheet sections due to predetermined bending points
- Round holes at the ends of the legs also enable a pass-through-mounting of M8 or M10 threaded rods



### Features



Max. recommended load [N] 1,300

	Part no.		Sales unit	Pack unit
	V2A	V4A		
M8	130198	130199	25	pieces
M10	130196	130197		

 Refer to chapter „Tools“ for trapezoid-sheet pliers used for attachment.