

Single bossed clamps

heavy-duty version, with DÄMMGULAST® yellow

Field of application

- Suitable for attachments in industrial areas as well as in air-conditioning, ventilation and sanitary areas
- Application in areas with high demands on sound insulation
- For indoor and outdoor use

Advantages

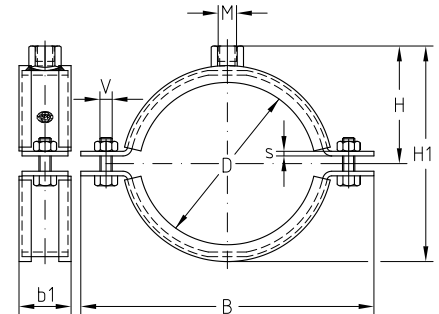
- Stronger tightening bolts for high load capacity
- Enhanced braking resistance due to increased material cross-section area
- Vibration control lining DÄMMGULAST® with yellow identification stripe: average vibration improvement of up to 22 dB(A)



Features



Size	Max. recommended load [N]
1½"-2"	4,166
2½"-4"	5,000
133-315 mm	6,666
323 mm upwards	8,333



Connecting thread	Size		Clamping range [mm]	Part no.		Sales unit	Pack unit	Dimensions [mm]									
	[inch]	[mm]		V2A	V4A			B	b x s	b1	H	H1	V				
M12	1½		45-52	121907	121323	50	pieces	111	30 x 3.0	34	48	81	M8				
											56-64	122091		121339	54	93	
											72-80	122103		121343	62	109	
	2½		88-92	122258	121371	25		157				69	122	M10			
												110-114	121953		121327	79	143
												112-116	122345		121387	81	147
	4	133	133-137	122010	121331	10		203	40 x 4.0	46		92	168				
												137-145	122425		121391	95	175
												159-165	122044		121335	105	195
												164-170	122469		121394	108	200
												193-203	122119		121346	125	235
												208-214	122147		121350	131	247
												217-224	122159		121354	135	254
												244-254	122210		121358	150	285
												267-273	122226		121362	159	302
												278-282	122246		121367	165	315
												313-318	122290		121375	183	350
												320-326	122298		121379	188	360
353-360	122321	121383	204	392													



Single bossed clamps can be produced in all other pipe sizes and types according to customer specifications. For use in areas with requirements on the duration of fire resistance, the boundary conditions set out in the fire test report must be observed.