

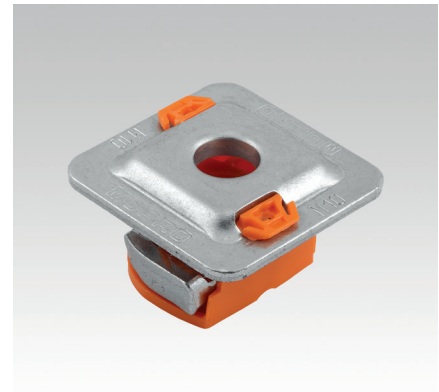
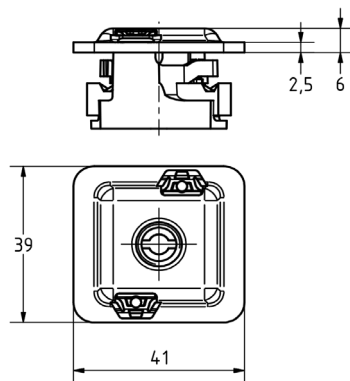
### MPR-Quick fasteners type S+

#### Field of application

- For safe and fast connecting of pipe clamps and mounting parts in the rail slot of MPR-Support channels
- For indoor and outdoor use

#### Advantages

- Time-saving attachment in the channel slot, even if subsequently fitted between existing pipe sections
- Safely retained after screwing in, alignable until screw is tightened
- Secure interlocking design for a positive connection with the MPR-Support channels
- Suitable for all MPR-Support channels 41/21 to 41/124



For support channels	Thread	Material	Part no.	Sales unit	Pack unit
41/21–41/124	M8	V4A	166290	25	pieces
	M10		166291		

#### Features



	Max. recommended load $F_1$ [N]		For a tightening torque of [Nm]	
	M8	M10	M8	M10
MPR-Support channels 2.0 mm	7,000	7,000	10	20
MPR-Support channels 2.5 mm	12,000	12,000		

#### Mounting instructions

