

MPC-Diagonal strut

Field of application

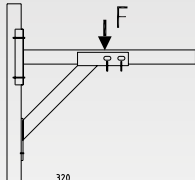
- Diagonal strut applicable for the direct wall-mounting of wall hanger brackets

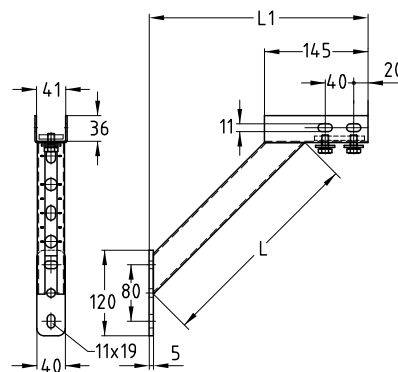
Advantages

- Quick mounting due to pre-installed double rail nuts
- With clip-over edges for the wall hanger bracket
- Oblong holes at the side enable the positioning of MPC-Support channels 38/40 with slot at the side



Features

	Length L [mm]	Mounting of bracket and diagonal strut in the support channel slot max. recommended load F [N]	Directly mounted max. recommended load F [N]
	440	2,500	6,000



For support channels	Length L [mm]	Length L1 [mm]	Material	Part no.	Sales unit	Pack unit
38/40-40/120	440	405	V2A	129788	1	pieces

