

Anchor point pipe clamps type 170 FL galvanised

Field of application

- Thermally decoupled attachment of chilled water pipes
- Complete anchor point pipe clamp for chilled water pipes
- For form-locking attachments taking up axial pipe forces
- For indoor use
- In particular for large nominal sizes

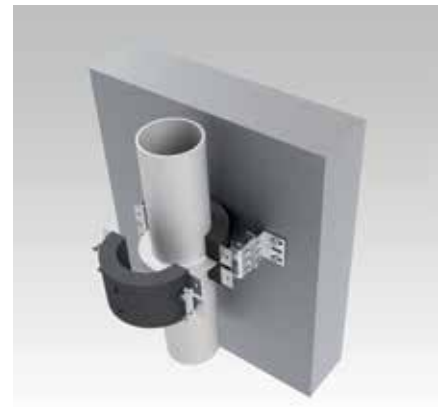
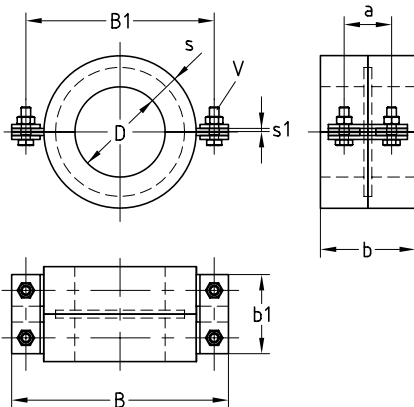
Advantages

- Direct between pipe clamp and cold pipe: decreased heat flux between pipe and environment
- Low thermal transfer with the insulation shells and internal clamp bracket used
- Simplified integration in sectional pipe insulation
- Specially suitable for attachments of steel pipelines according to DIN EN 10022



Features

Material insulation shell	Polyurethane, black
Effective density	250 kg/m ³
Thermal conductivity	$\lambda = 0.045$ W/mK
Fire classification (acc. to DIN 4102)	B2
Temperature range	-45 °C to +105 °C
Water vapour diffusion resistance	$\mu = 2,500$
Compression strength	4.3 N/mm ² at 23 °C
Material clamp/pressure ring	S235JR



Nominal size pipe outer diameter	Insulation thickness s [mm]	Max. recommended load axial [N]	Max. recommended load radial [N]	Part no.	Sales unit	Pack unit	Dimensions [mm]										
							s1	B	B1	b	b1	a	V				
2 [inch] / 60.3 [mm]	30	1,000	1,440	153065	1	pieces	4	203	173	100	90	50	M10				
2½ [inch] / 76.1 [mm]		2,500	3,600	150707				211	181								
3 [inch] / 88.9 [mm]		3,000	4,300	150708				274	238								
4 [inch] / 114.3 [mm]	40	4,000	6,900	150709			1	pieces	4	274	238	120	100	60	M12		
4½ [inch] / 133.0 [mm]		4,500	7,700	167131						300	264						
5 [inch] / 139.7 [mm]		8,100	150710														
6 [inch] / 168.3 [mm]	60	6,000	9,700	152055					1	pieces	4	328	288	200	140	100	M16
8 [inch] / 219.1 [mm]		9,000	23,000	159107								439	399				
		12,000	28,000	156831								493	453				
		15,000	32,800	165046								544	504				
		17,000	36,000	160913								576	536				

PU-Sealer 310 ml cartridge

Part no.	Sales unit	Pack unit
122470	12	pieces

