

Trapezoid-sheet hanger

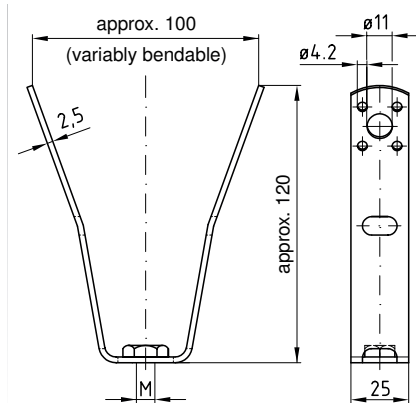
stainless steel

Application

- For the professional attachment of installations to trapezoidal sheets

Your advantages

- Easy to adapt to different trapezoidal sheet sections due to predetermined bending points
- Round holes at the ends of the legs also enable a pass-through-mounting of M8 or M10 threaded rods



Features



Max. recommended load [N]

1,300

Design	Thread	Material V2A Part no.	Material V4A Part no.	Sales unit	Pack unit
with welded-on nut	M8	130198	130199	10	Pieces
	M10	130196	130197		

Refer to chapter „Tools“ for trapezoid-sheet pliers used for attachment.

