

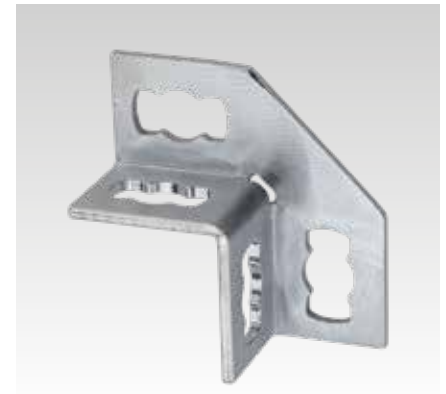
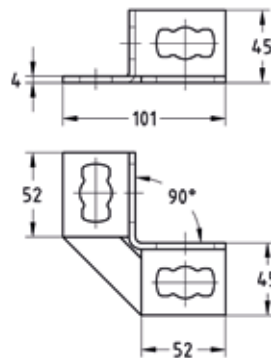
MPR-Angle connectors 90° type S+ galvanised

Application

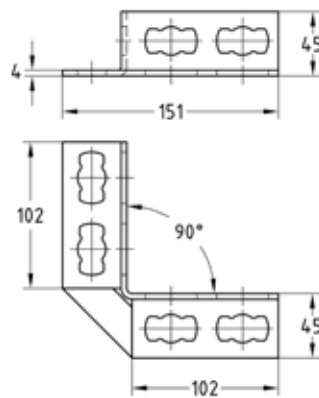
- Connecting element for on-the-wall installations, shelves and rail constructions, preferably by using the MPR-Support channel 41/41
- For indoor use

Your advantages

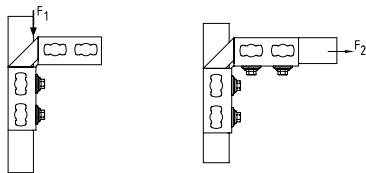
- Fast and simple installation of angled joints with the MPR-Connection lock type S+
- Flexible use due to up to 4 connection locks depending on the design
- Increased load transfer when using 2 connection locks per leg
- Flexible connections in 2 directions with MPR-Support channels 41/41



MPR-Angle connector 90° 2+2 type S+



MPR-Angle connector 90° 4+4 type S+



Features

Material thickness of support channel [mm]	Design	Permissible load F ₁ [N]	Permissible load F ₂ [N]
1.5	2+2	2,500	2,000
	4+4	4,000	3,000
2.0, 2.5	2+2		2,000
	4+4	8,000	4,000

Design	For profiles	Part no.	Sales unit	Pack unit
2+2	41/21-41/124	165831	10	Pieces
4+4	41/21-41/124	165832		