

MPC-Diagonal strut

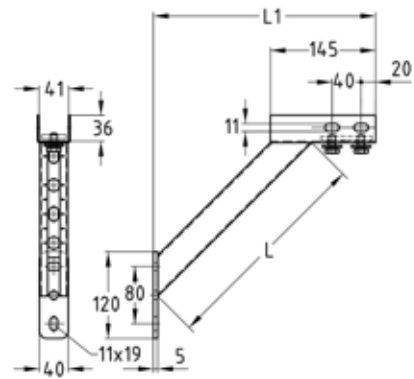
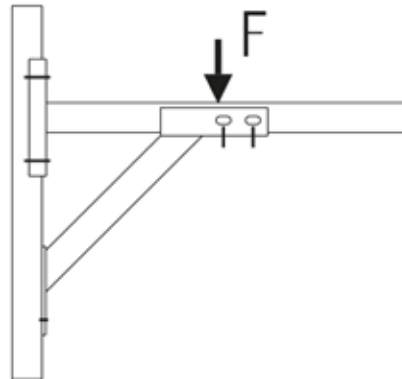
hot-dip galvanised

Application

- Diagonal strut for the direct wall-mounting of wall hanger brackets, for channel support and for wall hanger brackets with baseplate
- Suitable for outdoor use

Your advantages

- Quick mounting due to preinstalled double rail nuts
- With clip-over edges for the wall hanger bracket
- Oblong holes at the side enable the positioning of MPC-Support channels 38/40 with slot at the side



Features

Length L [mm]	Max. recommended load mounting in support channel slot F [N]	Max. recommended load directly mounted F [N]
440	2,500	6,000

For profiles	Length L [mm]	Length L1 [mm]	Part no.	Sales unit	Pack unit
38/40-40/120	440	405	129789	1	Pieces

