

MPC-Channel connectors

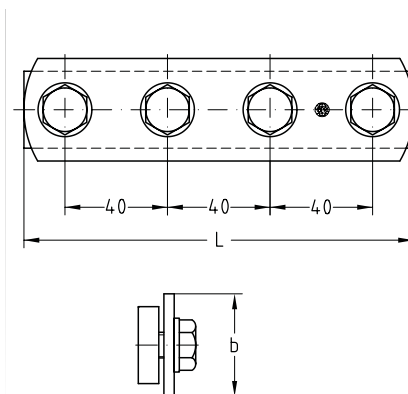
stainless steel

Application

- Quick butt-joint connection for MPC-Support channels

Your advantages

- Enables exact alignment of the channels
- 4 bolts provide a frictional joint
- Smooth attachment by sliding into the channel section



For profiles	Dimensions [mm]		Material V2A	Material V4A	Sales unit	Pack unit
	b	L	Part no.	Part no.		
27/18, 28/30	25	150	120052	120056	1	Pieces
38/40, 40/60	40		120064	120068		

