

### MPC-Diagonal struts

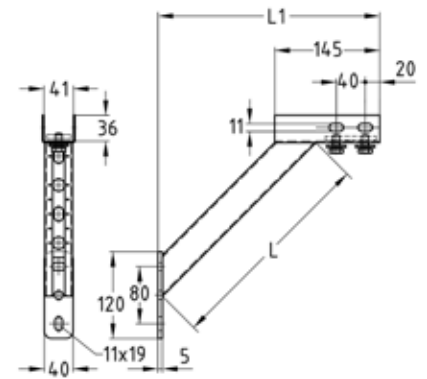
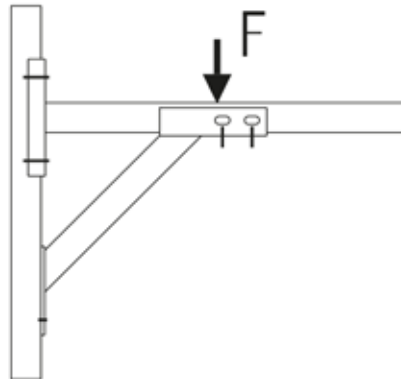
galvanised

#### Application

- Diagonal strut applicable for the direct wall-mounting of wall hanger brackets

#### Your advantages

- Quick mounting due to preinstalled double rail nuts
- With clip-over edges for the wall hanger bracket
- Oblong holes at the side enable the positioning of MPC-Support channels 38/40 with slot at the side



#### Features

Length L [mm]	Max. recommended load mounting in support channel slot	Max. recommended load directly mounted
	F [N]	F [N]
440	2,500	6,000
900	2,000	3,000

For profiles	Length L [mm]	Length L1 [mm]	Part no.	Sales unit	Pack unit
38/24-40/120	440	405	129790	1	Pieces
	900	730	139228		