

MPC-Wall hanger bracket

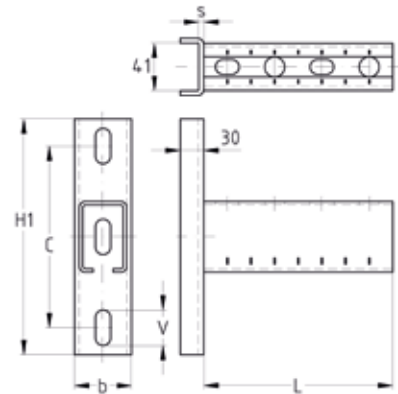
for the attachment on support channels, hot-dip galvanised

Application


- Wall hanger bracket with solid, rounded-edge base plate for the attachment on support channels
- Solid cantilever construction due to support from diagonal strut

Your advantages

- Clip-over edges of the base plate for good appearance
- Variety of set lengths covers all constructional requirements
- Simple height adjustment when mounted in the channel slot
- Clean-cut appearance by the use of MPC-protection caps



| For profiles | Length L [mm] | Dimensions [mm] | | | | | Part no. | Sales unit | Pack unit |
|--------------|---------------|-----------------|-----|-----|---|---------|----------|------------|-----------|
| | | b | C | H1 | s | V | | | |
| 40/60 | 800 | 49 | 154 | 200 | 4 | 13 x 30 | 139505 | 1 | Pieces |

 See MPC-Wall hanger bracket 40/60 for load-bearing capacities. When mounted in the channel slots, the max. recommended shear and tensile loads for the accessories (e.g. MPC-Hammer head bolts) must be observed.

