

Pipe clamps, DIN 3567

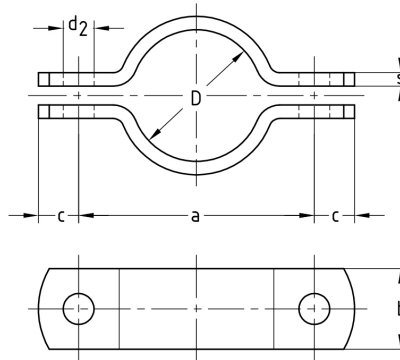
form A

Application

- For high static loading requirements in plant construction
- Distribution of heavy loads when mounting pipes with great span lengths

Your advantages

- Material S235JR according to DIN 17100 approved for operating temperatures up to 300 °C
- Nominal size DN 15 is similar to DIN 3567, form A



Features

Material	Code for material	Surface	Code for surface
S235JR (St37)	W37	untreated	OR
V2A stainless steel	WA2	hot-dip galvanised	OF
V4A stainless steel	WA4		

Pipe outer Ø D [mm]	Nominal size DN	Dimensions [mm]					Accessories: hexagon head bolts	Design W37-OR Part no.	Design W37-OF Part no.	Design WA2 Part no.	Design WA4 Part no.	Sales unit	Pack unit			
		a	b	c	d2	s										
20	15	57	30	15	11.5	5	M10 x 30 mm	115466	115463	126682	126684	1	Pieces			
22		59						115478	115475	126692	126694					
25	20	62						115493	115490	126700	126702					
27		66						115508	115505	126708	126710					
30	25	68						115771	115768	126720	126722					
34		72						115792	115789	126732	126734					
38	32	76						115809	115806	126744	126746					
43		82						115827	115824	126756	126758					
45	40	84						115833	115830	126760	126762					
49		88						115840	115837	126764	126766					
57	50	104	40	18	14	6	M12 x 35 mm	115861	115858	126776	126778					
61		108						115867	115864	126782	126784					
77	65	122						115879	115876	126788	126790					
89	80	136						115890	115888	126792	126794					
108	100	172	50	24	18	8		M16 x 45 mm	115409	115406	126646			126648		
115		178							115415	115412	126650			126652		
133	125	196							115427	115424	126656			126658		
140		204							115433	115430	126660			126662		
159	150	222							115442	115439	126664			126666		
169		232							115448	115445	126670			126672		
191	175	254					115454		115451	126674	126676					
194		258					115460		115457	126678	126680					
216	200	280					115472		115469	126688	126690					
220		284					115487		115481	126696	126698					
267	250	342	60	30	23		M20 x 50 mm	115502	115499	126704	126706					
273		348						115514	115511	126712	126714					
318	300	392						115780	115777	126724	126726					
324		398						115786	115783	126728	126730					
356	350	432						115797	115795	126736	126738					
368		444						115803	115800	126740	126742					
407	400	498	70	36	27	10		M24 x 60 mm	115815	115812	126748			126750		
419		510							115821	115818	126752			126754		
508	500	600							115846	115843	126768			126770		
521		614							115852	115849	126772			126774		

i Two identical half-shells are supplied per clamp ordered. Corresponding bolts and nuts must be ordered separately (refer to chapter „Accessories“).