

MPT-Vario Foot

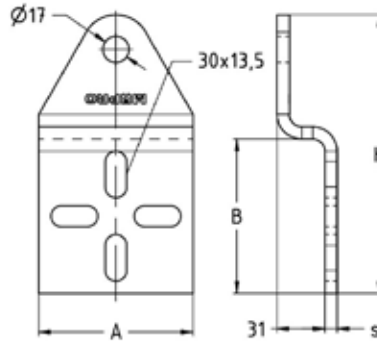
hot-dip galvanised

Application

- Reinforced joint angles for corner and angle connections as well as bracing in conjunction with MPT-Support profiles Q100
- Additional fastening options thanks to 4-fold perforation

Your advantages


- High flexibility: Connection of MPT-Support profiles Q100 with any connection angles
- Stable connection: secure power transmission thanks to fastening with MPT-Hammer head bolts (strength class 8.8)
- Can also be combined with VARIO base plate for a wide range of mounting options
- High corrosion protection due to standardised hot-dip galvanising ensures flexible implementation outdoors and indoors



Set of 2 pieces



For profiles	Thickness s [mm]	Dimensions [mm]			Weight [kg]	Part no.	Sales unit	Pack unit
		A	B	H				
Q100-2.5, Q100-3.5	8	100	100	180	2.07	180587	1	Set

 A set consists of two pieces. Fixing elements are not included and must be ordered separately.