

MPC-Quick fasteners+

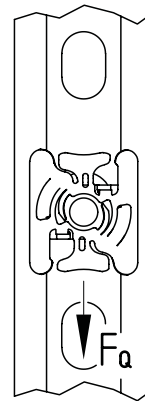
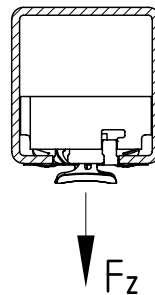
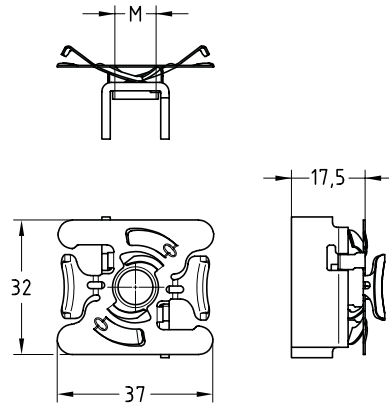
for angle mounting, galvanised

Application

- Secure and easy installation in slot of MPC-Support channel in order to attach mounting accessories
- Angle-mounting for fast and efficient installation of brackets and mounting angles
- For use in dry interiors

Your advantages

- Time-saving attachment in the channel slot, even if subsequently fitted between existing pipe sections
- Simple and secure handling: insert in the MPC-Support channels - turn - and the MPC-Quick fastener is fixed. No slipping, no falling out
- High quality and load capacity
- Suitable for all MPC-Support channels 38/24 to 40/120



Features

For profiles	Connecting thread	Max. recommended tensile load Fz [N]	Max. recommended load lateral (displacement) Fa [N]		Tightening torque [Nm]
			1-hole mounting angle and 1 mounted quick fastener	2-hole mounting angle and 2 mounted quick fasteners	
38/24	M8	2,800	750	1,500	14
	M10	3,000			28
38/40, 39/52, 38/80	M8	3,100			14
	M10				28
40/60, 40/80, 40/120	M8	3,200			14
	M10	4,000			28

For profiles	Connecting thread	Part no.	Sales unit	Pack unit
38/24-40/120	M8	175779	100	Pieces
	M10	175780		