

MPC-Quick fasteners+

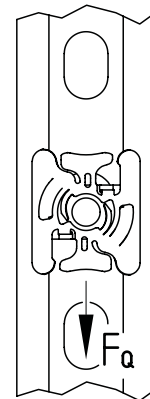
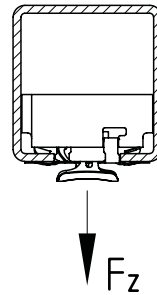
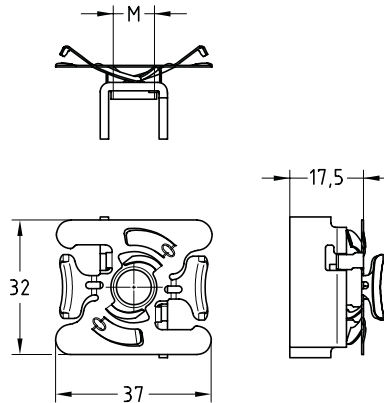
for angle mounting, stainless steel

Application

- Secure and easy installation in slot of MPC-Support channel in order to attach mounting accessories
- Angle-mounting for fast and efficient installation of brackets and mounting angles
- For indoor and outdoor use

Your advantages

- Time-saving attachment in the channel slot, even if subsequently fitted between existing pipe sections
- Simple and secure handling: insert in the MPC-Support channels - turn - and the MPC-Quick fastener is fixed. No slipping, no falling out
- High quality and load capacity



Features

For profiles	Connecting thread	Max. recommended tensile load F_z [N]	Max. recommended load lateral (displacement) F_q [N]		Tightening torque [Nm]
			1-hole mounting angle and 1 mounted quick fastener	2-hole mounting angle and 2 mounted quick fasteners	
38/40	M8	3,000	400	800	14
	M10	3,100	500	1,000	28
40/60	M8	3,200			14
	M10	4,000	600	1,200	28

For profiles	Connecting thread	Material	Part no.	Sales unit	Pack unit
38/40, 40/60	M8	V2A	175781	50	Pieces
	M10		175782		